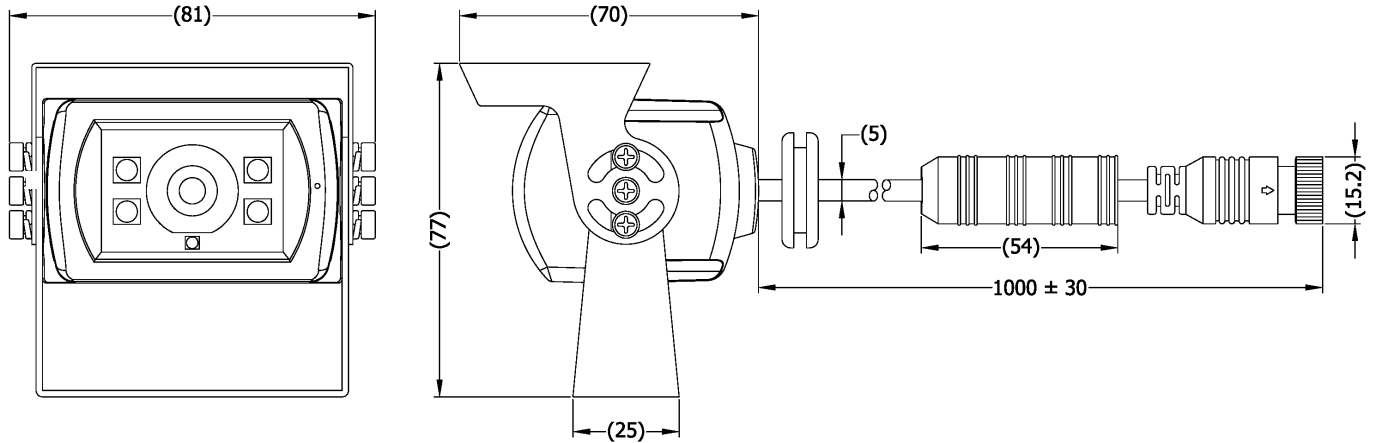


Product Specification



Brigade Model Number:	VBV-700C	VBV-701C	VBV-790C	VBV-791C
Brigade Part Number:	1379D	2575C	2724C	2842C



Dimensions: mm

Product Specification

Environmental Specifications:

- Shock Rating: 51 G (All 3 Axis - 6 directions)
- Vibration Rating: 10 G
- Camera IP Rating: IP69K
- Connector IP Rating: IP67
- Operating Temperature: -30° to +70°C
- Storage Temperature: -40° to +85°C

Approved Standards:

- CE - (EN 61000-6-3:2007 + A1:2011 + AC:2012
EN 61000-6-2:2005 + AC:2005)
- FCC - (47 CFR Part 15 Subpart B)
- 'E' Mark - (ECE Regulation 10 Rev 05) - For all
(ECE Regulation 46 Rev. 06 with VBV-770M/
VBV-770DM/ VBV-7104FM) - For VBV-
700C / 790C only
- Ingress Protection - (ISO 20653:2006)
- Elements of ISO 16750:2012
- RoHS2
- WEEE

Technical Specifications:

- Operating Voltage: 12 Vdc ± 2Vdc
- Current Consumption: ≤250mA @ 12 Vdc
- Power Consumption: ≤3Watts @ 12 Vdc
- Imaging Devices: CCD - 1/3" Sharp
DSP - Seinmedia
- TV System:
VBV-700C / VBV-790C: PAL
VBV-701C / VBV-791C: NTSC
- Picture Elements:
VBV-700C / VBV-790C: 976(H) x 582(V)
VBV-701C / VBV-791C: 976(H) x 494(V)
- Visual Resolution:
VBV-700C / VBV-790C: 620 TV Lines
VBV-701C / VBV-791C: 750 TV Lines

Technical Specifications Continued...

- Required Illumination: 0 Lux (IR LED ON)
- Illumination Area: Approx. 7m (L) x 5m (W)
- Viewing Angle:
VBV-700C / VBV-790C: 88° (H), 68° (V), 115° (D)
VBV-701C / VBV-791C: 86° (H), 72° (V), 122° (D)
- Assembled Weight: 315 Grams
- Video Output: 1.0 Vp-p / 75Ω
- Length of Cable: 1000 ± 30mm
- Overall Dimensions:
81mm (W) x 70mm (D) x 77mm (H)
- Housing Material: Aluminium Alloy
- Camera View: Fixed - Mirror
- Finish: Black Powder Coating

Features:

- Night Vision via 4 x High Power Infrared LEDs enabled by integrated Day / Night sensor
- VBV-700C / VBV-701C - Integrated Microphone
- High Quality Sharp CCD & Seinmedia DSP
- Back Light Compensation
- Automatic White Balance
- Fixed IRIS
- VBV Type Female Connector

Package Contents:

- 1 x VBV-70XC/79XC-C - Camera
- 1 x VBV-71XXC-BKT - Bracket
- 1 x VBV-71XXC-SS - Sunshield
- 1 x VBV-71XXC-FIX - Fixing Pack
- 1 x VBV-79X/70XC-IG - Installation Guide

